

WARNING!

ALWAYS TURN OFF MAIN POWER BEFORE INSTALLING & SERVICING!
Ensure to read all Safety and Installation Instructions thoroughly!

IMPORTANT SAFETY INSTRUCTIONS

1. Read all instructions.
2. Install in accordance with national and local electrical code regulations.
3. This product is intended to be installed and serviced by a qualified, licensed electrician.
4. Only install with a Class 2 24V DC LED driver. This product has not been evaluated for use when connected to an LED driver that does not comply with Class 2 voltage and energy limited supplies.
5. Only use copper wiring. Use wires rated for at least 176F (80C) and certified for use with external connection of electrical equipment.
6. Inadequate wire installation could overheat wires, and cause a fire. Install applicable wire between driver, fixture, and any controls in between. When choosing wire, factor in voltage drop, amperage rating, and type (in-wall rated, etc.)
7. Do not conceal or extend exposed conductors through a building wall. Power feeds and additional extension cables/connectors are not rated for in-wall installation. Wire leads are field-cuttable.
8. Not for closet installations.
9. Do not install outdoors or in wet locations. For indoor and dry use only.
10. To reduce the risk of fire and overheating, make sure all connections are tight.
11. Do not install any luminaire closer than 6 inches (15.25cm) from any curtain, or similar combustible materials.
12. Turn off electrical power before modifying the lighting system in any way.

SAVE THESE INSTRUCTIONS

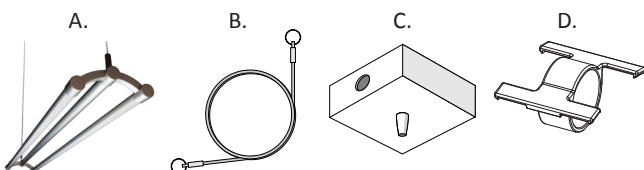
QUICK SPECS

SKU	Length	Power	Input	Environment
DI-24V-ES30-SV	49 in.	69W	24V DC	Dry / Indoor
DI-24V-ES30-BL	49 in.	69W		
DI-24V-ES40-SV	49 in.	69W		
DI-24V-ES40-BL	49 in.	69W		

SUPPLIED ACCESSORIES

EMERY™ Ensemble Suspended Linear LED Fixture: DI-24V-ES**

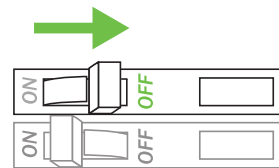
- | | |
|--|--|
| <p>A. (1x) EMERY™ Ensemble Suspended Linear LED Fixture</p> <p>B. (2x) Mounting Hardware</p> | <p>C. (1x) Canopy Junction Box</p> <p>D. (1x) End-To-End Connector</p> |
|--|--|



INSTALLATION

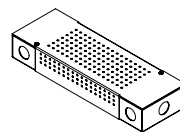
1 TURN POWER OFF AT CIRCUIT BREAKER

SHOCK HAZARD! May result in serious injury or death.
Turn power OFF at circuit breaker prior to installation.

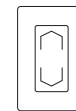


2 DETERMINE LOCATION TO INSTALL COMPONENTS

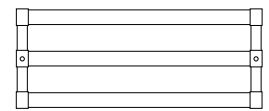
Refer to **SYSTEM DIAGRAMS** on page 3. Ensure to calculate LED load properly for loading LED driver. See **QUICK SPECS** to calculate loads.



1) Class 2 Driver



2) Control



3) Fixture

WIRE GAUGE & VOLTAGE DROP

Ensure applicable wire is installed between driver, fixture, and any controls in between. When choosing wire, factor in voltage drop, amperage rating, and type (in-wall rated, wet location rated, etc.)

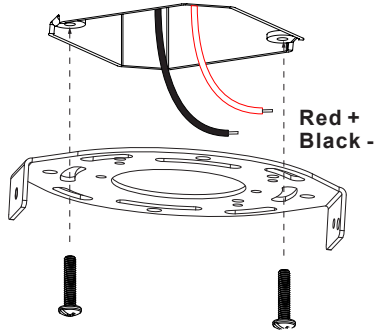
3 CONFIGURE SYSTEM AND TEST CONNECTION.



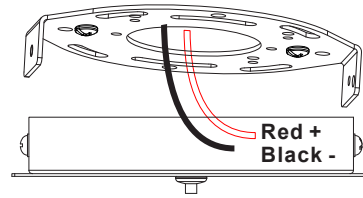
Prior to mounting, attach system to Class 2 LED Driver, turn on power and test connection to ensure system is operating properly. Turn off power again before mounting.

INSTALLATION CONT.

4 A. MOUNT PLATE TO 3.0" - 4.0" ROUND JUNCTION BOX

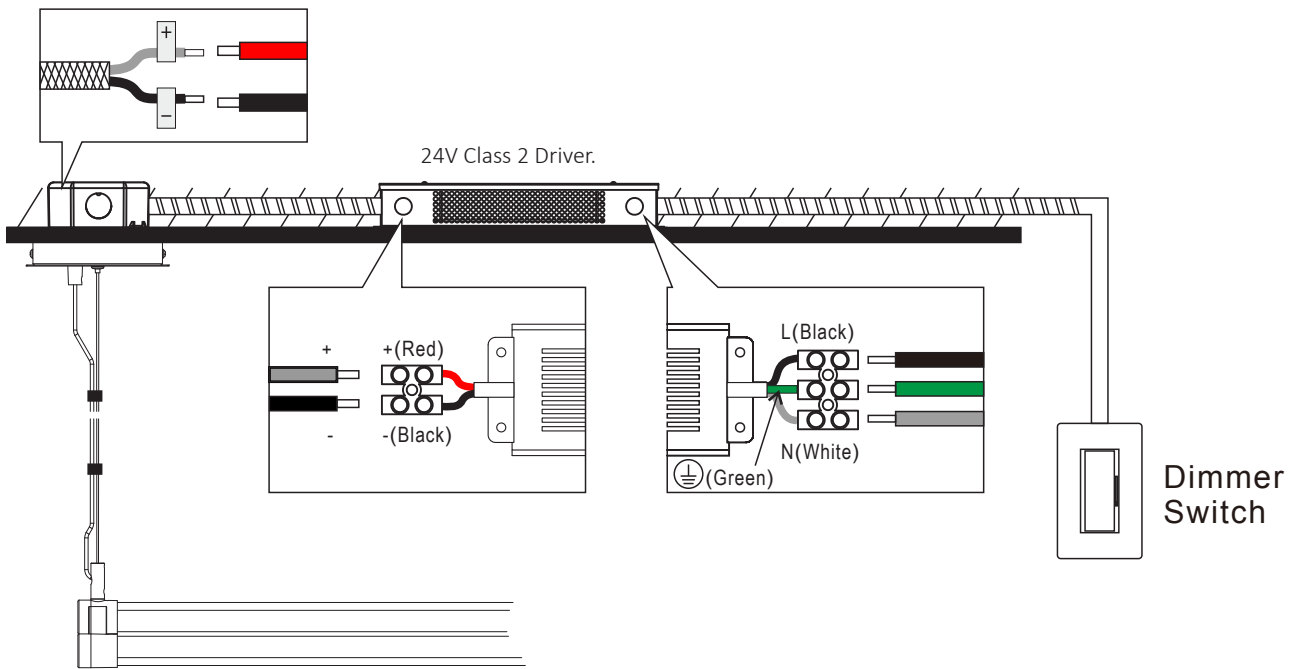


4 B. ATTACH CANOPY TO MOUNTING PLATE



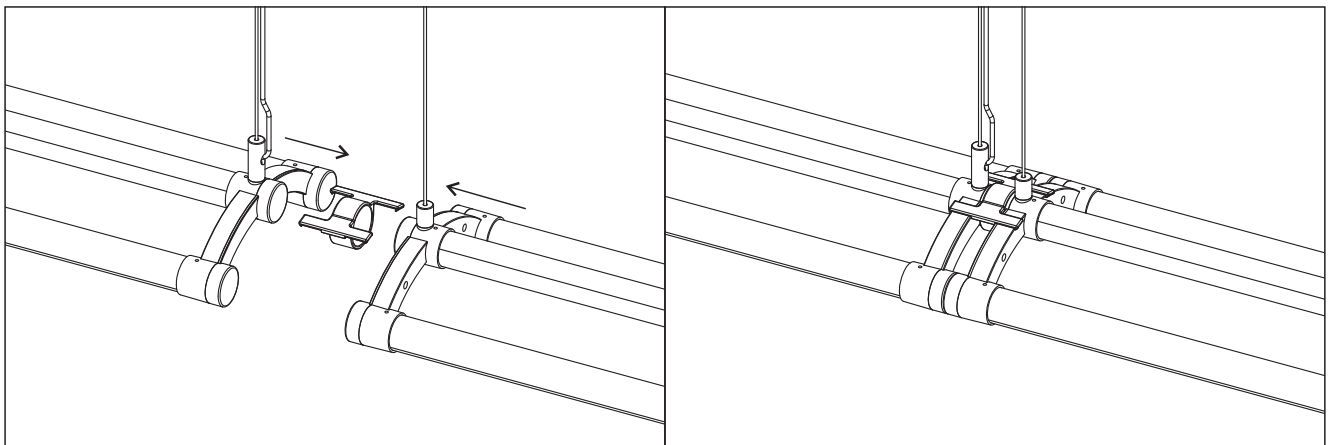
5 CONNECT POWER SUPPLY TO FIXTURE

Connect EMERY™ Ensemble Suspended Linear LED Fixture to driver using the Red/Black Wires.



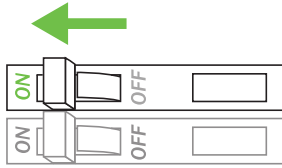
6 CONNECT MULTIPLE FIXTURES TOGETHER

Using the included non-conductive connector, attach two fixtures end-to-end.



INSTALLATION CONT.

7 TURN POWER ON AT CIRCUIT BREAKER.



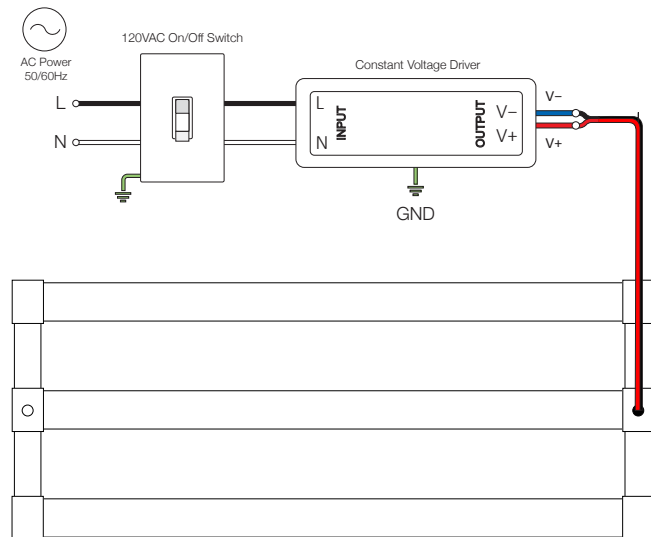
SYSTEM WORKING IMPROPERLY?

Turn power OFF at circuit breaker and verify all connections. Review SYSTEM DIAGRAMS and TROUBLESHOOTING or call Diode LED Technical Support at 877.817.6028.

SYSTEM DIAGRAMS

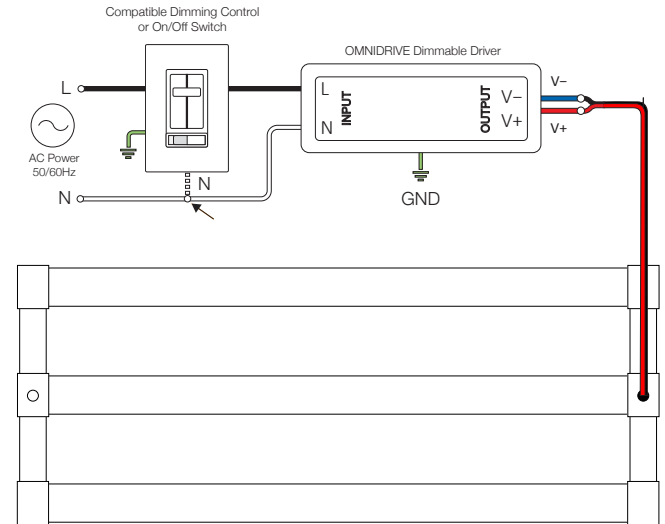
The following diagrams are examples of the most popular EMERY™ Ensemble system configurations and are provided below as sample system designs. Install in accordance with NEC and local regulations.

24V CONSTANT VOLTAGE DRIVER



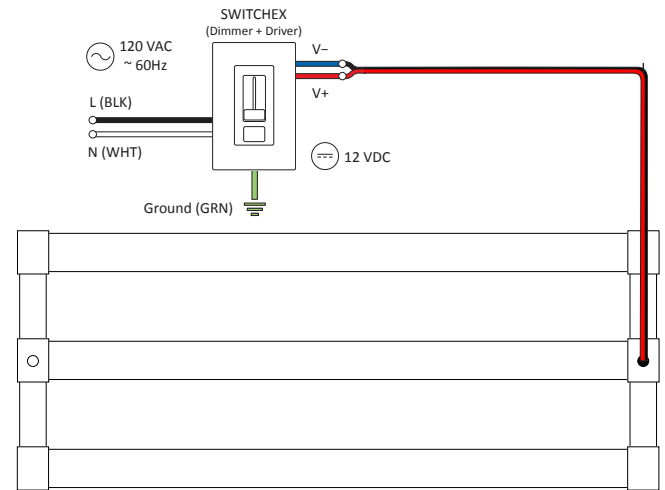
EMERY™ Ensemble Suspended Linear LED Fixture

24V OMNIDRIVE DIMMABLE DRIVER



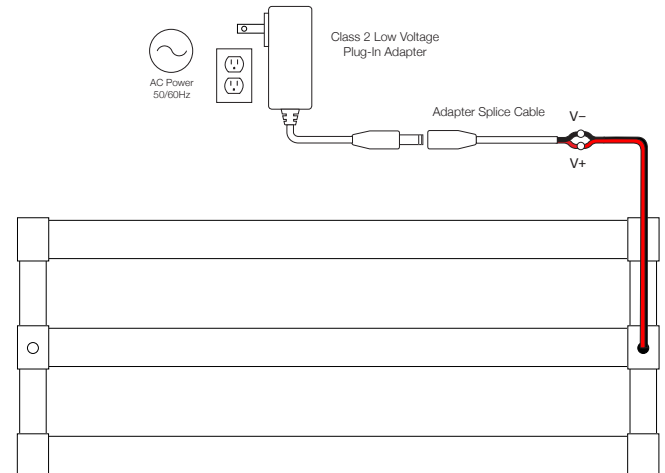
EMERY™ Ensemble Suspended Linear LED Fixture

SWITCHEX DIMMER & DRIVER



EMERY™ Ensemble Suspended Linear LED Fixture

PLUG-IN ADAPTER



EMERY™ Ensemble Suspended Linear LED Fixture

TROUBLESHOOTING

Symptom	Common Cause
Fixture does not illuminate	<ul style="list-style-type: none">• Circuit breaker is OFF or tripped.• Incorrect wiring. Polarity of Low Voltage V+ and V- are reversed. Check connection at every connection point to ensure polarity is not reversed.• Incorrect voltage pairing of LED driver and fixture. 12V driver models will not power a fixture with a higher voltage rating.
Fixture flickers randomly, may shut off	<ul style="list-style-type: none">• Connection is not secure. Check all hard-wired connections.
Fixture turns on/off repeatedly	<ul style="list-style-type: none">• Driver is overloaded or overheated. An overloaded/overheated driver will trip the internal auto-reset (of driver) repeatedly, turning the system on/off.

ADDITIONAL RESOURCES

Visit the on-line product page at www.DiodeLED.com for full product specifications, installation guides, and warranty information.

EMERY™ ENSEMBLE SUSPENDED LINEAR LED FIXTURE SPECIFICATION SHEET

For full product specifications and warranty information.

LED DRIVER SPECIFICATION SHEETS / INSTALL GUIDES

For full product specifications and warranty information.



Toll Free: 877.817.6028 | Fax: 415.592.1596 | www.DiodeLED.com | info@DiodeLED.com
© 2017 Elemental LED, Inc. All rights reserved. Specifications are subject to change without notice.